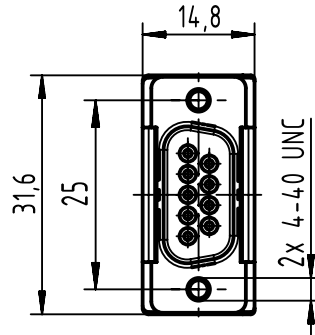
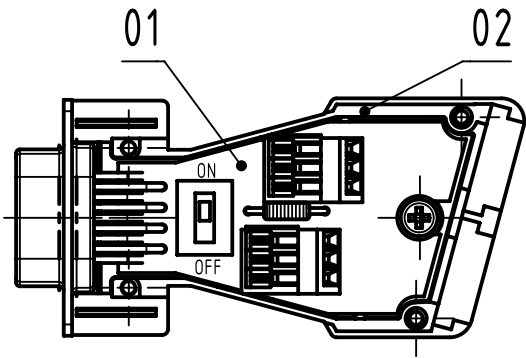
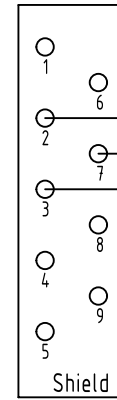


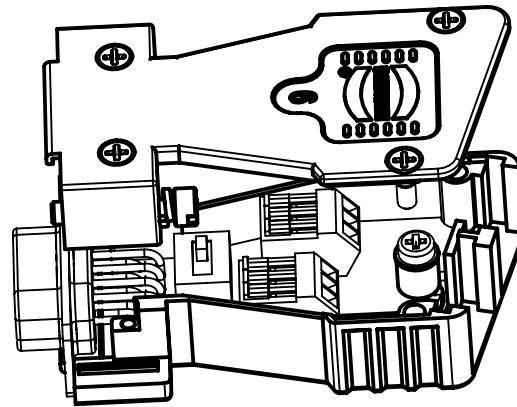
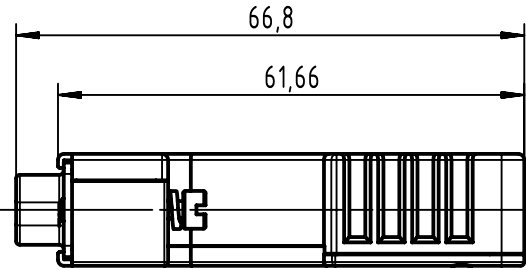
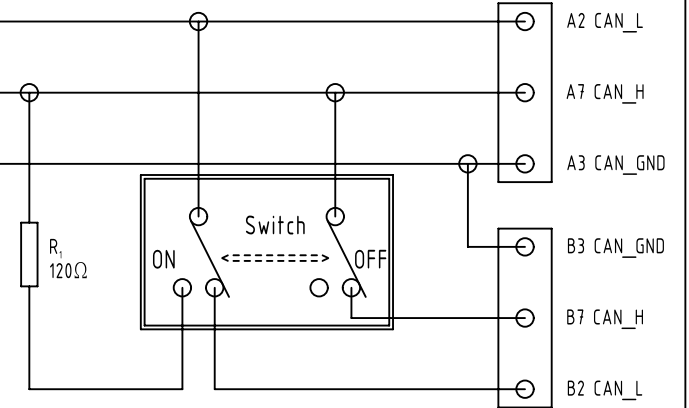
view without cover



D-Sub 9 poles



CAN Interface



in set inclusive :

Number	Description
2	Cable clamp 7,0-10,0
1	Blanking piece 9-37

	All rights reserved Department EL PD	All Dimensions in mm Original Size DIN A4	Scale 1:1	Free size tol.	Ref. Sub.
		Created by 402664	Inspected by ZENG D	Standardisation 302077	Date 2021-05-19
HARTING D-32339 Espelkamp		Title InduCom9 Female CAN 4-40UNC			Doc-Key / ECM-Nr. 100073158/UGD/029/C 500000195076
66 63 009 6056 Part number	PL1 Performance level	Type TB	Number 66630096056		Rev. C Page 1/1